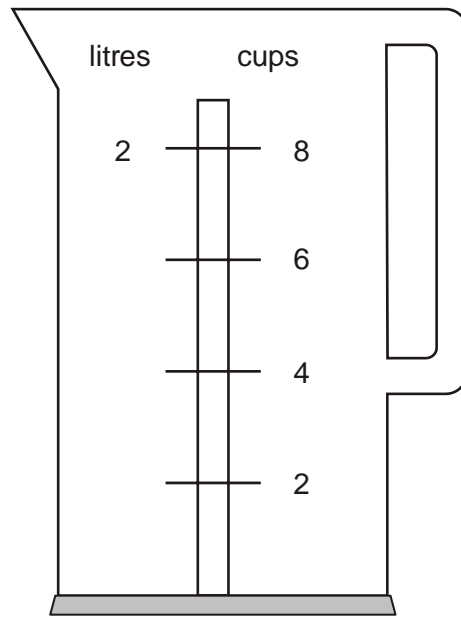


1. Nisha's kettle holds 2 litres of water.

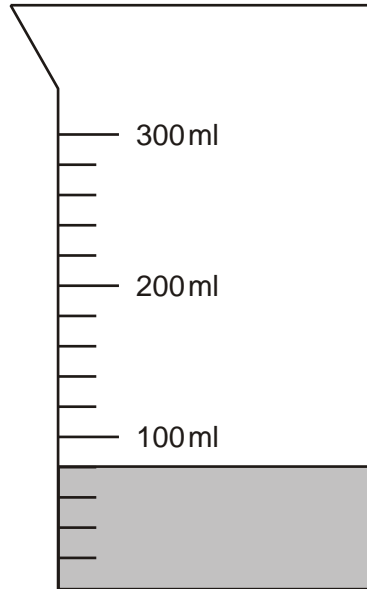


How many millilitres are equal to 1 cup?



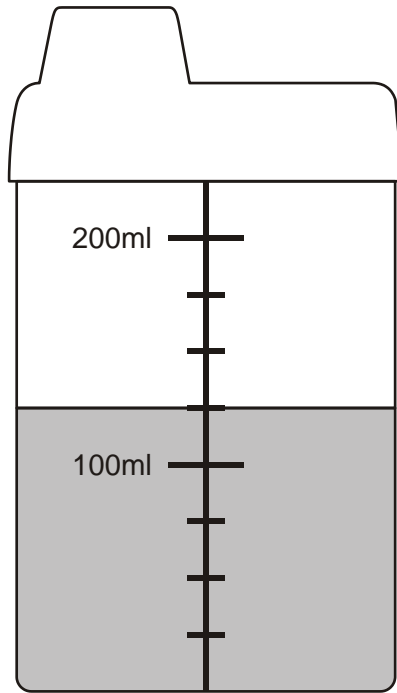
1 mark

2. Hassan has a jug with some water in it.
He adds another 140 millilitres of water.
Draw a line to show the new level of water.




1 mark

3. Here is a baby's drinking cup.

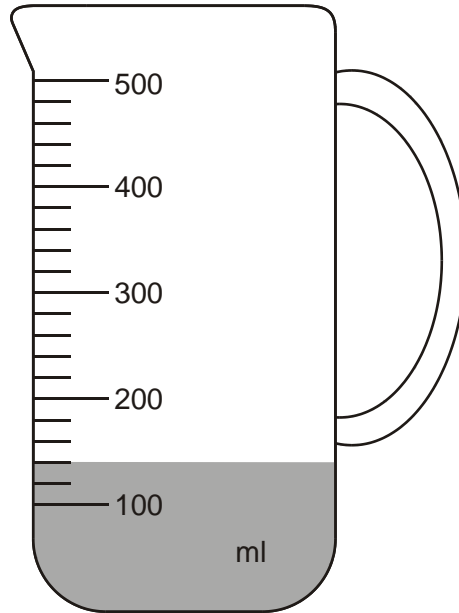


How many millilitres of water are in the cup?


 ml

1 mark

4. Mr Khan makes a blackcurrant drink for a party.
He pours blackcurrant squash into a jug.



How much water must he add to make **500 millilitres** of drink?

 ml

1 mark

5.



A bottle holds **1 litre** of lemonade.

Rachel fills **5** glasses with lemonade.

She puts **150 millilitres** in each glass.

How much lemonade is left in the bottle?

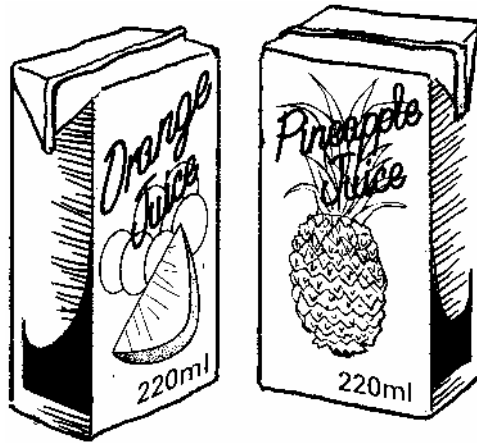


Show your **method**.
You may get a mark.

ml

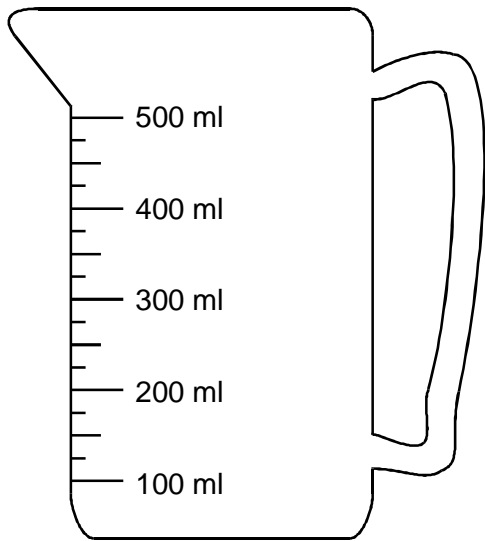
2 marks

6. Mina has two cartons of juice.
Each carton contains **220ml**.



She empties them both into this jug.

Draw an arrow (→) to show the level of the mixture in the jug.



1 mark

7. Here is a recipe for raspberry ice cream.


raspberry ice cream for 8 people
$\frac{1}{2}$ litre of cream
1kg raspberries
250g sugar



This recipe is for **8 people**.

Josie makes enough raspberry ice cream for **12 people**.

How much **cream** does she use?



1 mark

Fred makes raspberry ice cream in the same way.

He uses **2½ kg** of **raspberries**.

How much **sugar** does he use?

 Show your **method**. You may get a mark.

2 marks